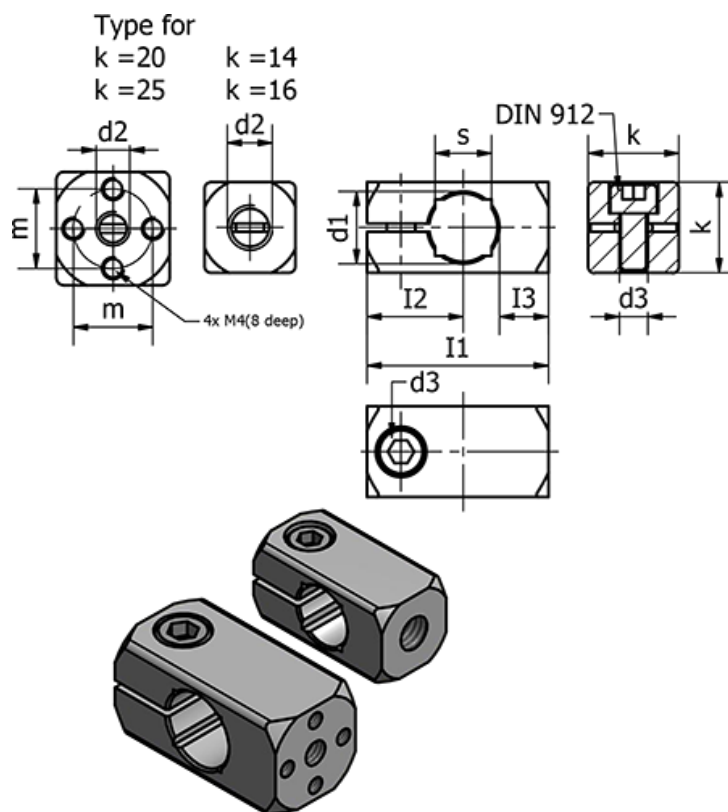


Article number: 20478B16M8MT

Description: E+G Clamp mounting - GN 478-B16-M8-MT

Measures



Clamping kit for d2 = GN 511-M6-20	m	= 14	
d1 h11	= 16	s	=
d2	= M8	Weight (g)	= 30
d3	= M6		
I1	= 40		
I2	= 20.5		
I3	= 11.5		
k	= 20		